

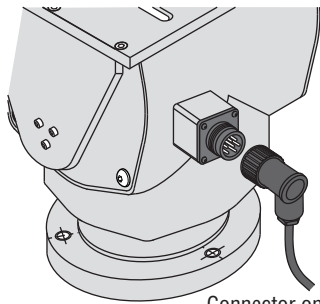
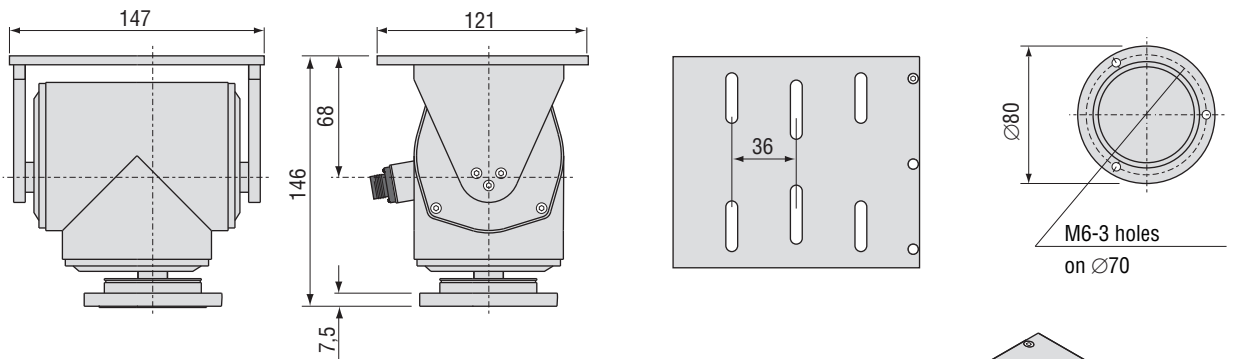
Vision is  
our mission®

Pan and Tilt head 2,3kg 24V/DC  
Bowler  
Article no. 0507061  
2017 • DS0507061 EN A 02

# Product Data

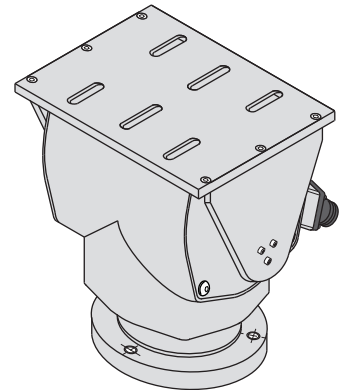


## Dimensions



Connector on pan & tilt head

units in mm



# TECHNICAL DATA

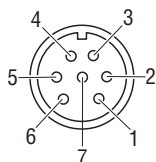
## Pan and Tilt head 2,3kg 24V/DC

	<b>Description</b>
	<b>Bowler</b>
<b>Article number</b>	<b>0507061</b>
<b>Pan angle</b>	350°
<b>Tilt angle</b>	-90° to +25°
<b>Pan speed</b>	30°/sec
<b>Tilt speed</b>	10°/sec
<b>Power input</b>	24 V/DC
<b>Load Capacity</b>	Any speed 6 kg in over the top configuration at 30/10°/sec.
<b>Backlash</b>	Less than 0,15°
<b>Operating temperature</b>	-20°C to + 50°C.
<b>Consumption</b>	48W
<b>Weight</b>	<2.3 Kg
<b>Outside use</b>	Weatherproof, IP 68 rating.
<b>Connector</b>	7p Female angled connector included; Art. No. 1301310.
<b>Construction</b>	Die cast aluminium casing.
<b>Green Passport</b>	All materials are compliant to Green Passport requirements according IMO resolution MEPC.197(62) as adopted on 15 July 2011 (Maritime sector: International Maritime Organization concerning the functions of the Marine Environment Protection Committee).

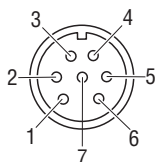
### Installation

#### Soldering of connectors

**Connector 7p  
Female  
Front side**



**Pan & Tilt head socket 7p  
Male  
Front side**



1 = Not connected		
2 = + 24V	Pan left	2 = + 0V
3 = - 0V		3 = + 24V
4 = + 24V	Tilt down	4 = + 0V
5 = - 0V		5 = + 24V
6 = Not connected		
7 = GND		

All data subject to change without notice. All dimensions are for commercial purpose only.  
 The camera/display systems from Orlaco comply with the latest CE, ADR, EMC and mirror-directive regulations, where applicable.  
 All products are manufactured in accordance with the ISO 9001 quality management system, ISO/TS 16949 quality automotive, ISO 14001 environmental management systems and all Ex products with the IECEx scheme and ATEX directives, where applicable.

